

PureLine
24" Combi-Steam Oven

DGC 6600-1 XL



PureLine Combi-Steam Oven

DGC 6600-1 XL



DGC 6600-1 XL Features:

- SensorTronic controls: 5-line TFT display with laterally positioned sensor controls that clearly present menu content
- MultiSteam technology delivers powerful external steam generation and optimum steam distribution via 6 inlet ports
- Wired roast probe for perfect roasting
- 3-in-1 appliance
 1. True European convection oven
 2. Steam oven
 3. Combination of steam and convection oven
- MasterChef menus offer over 150 food types to cook to perfection
- XL stainless steel cavity
- Lift up control panel conceals water and condensate container (both containers are dishwasher-safe)
- The simple yet sleek Silhouette handle seems to float, enhancing its modern design lines



SPECIFICATIONS

DGC 6600-1 XL — Item 23660074USA

Overall Fascia Dimensions 23⁷/₁₆" (595 mm) W x 18" (455.5 mm) H x 7⁷/₈" (23 mm) D

Overall Unit Width - Excluding Fascia Dimension 21⁹/₁₆" (548 mm)

Overall Unit Height - Excluding Fascia Dimension 17¹¹/₁₆" (449 mm)

Overall Unit Depth - Excluding Fascia Dimension 22³/₈" (567 mm)

Oven Door Clearance 12⁹/₁₆" (319 mm)

Built-In

Minimum Opening Width 22¹/₁₆" (560 mm)

Minimum Opening Height 17¹¹/₁₆" (450 mm)

Minimum Opening Depth 22¹/₂" (572 mm)

Minimum Base Support 60 lbs

Additional Cut-Outs Required Venting cut-out required
19¹¹/₁₆" x 1⁹/₁₆" (500 x 40 mm)

Electrical

Electrical Requirements 208V/240V, 60Hz, 20A

Power Rating 240V - 3.7 kw
208V - 3.2 kw

Power Cord Molded plug - NEMA 6-20, power cord
5 ft (1.5 m)

Shipping

Shipping Weight 65 lbs

Shipping Dimensions 26⁷/₃₂" (666 mm) W x 21⁵/₈" (549 mm) H x
23¹/₁₆" (535 mm) D

Support

Call Miele (800) 999-1360

Miele Website www.mieleusa.com

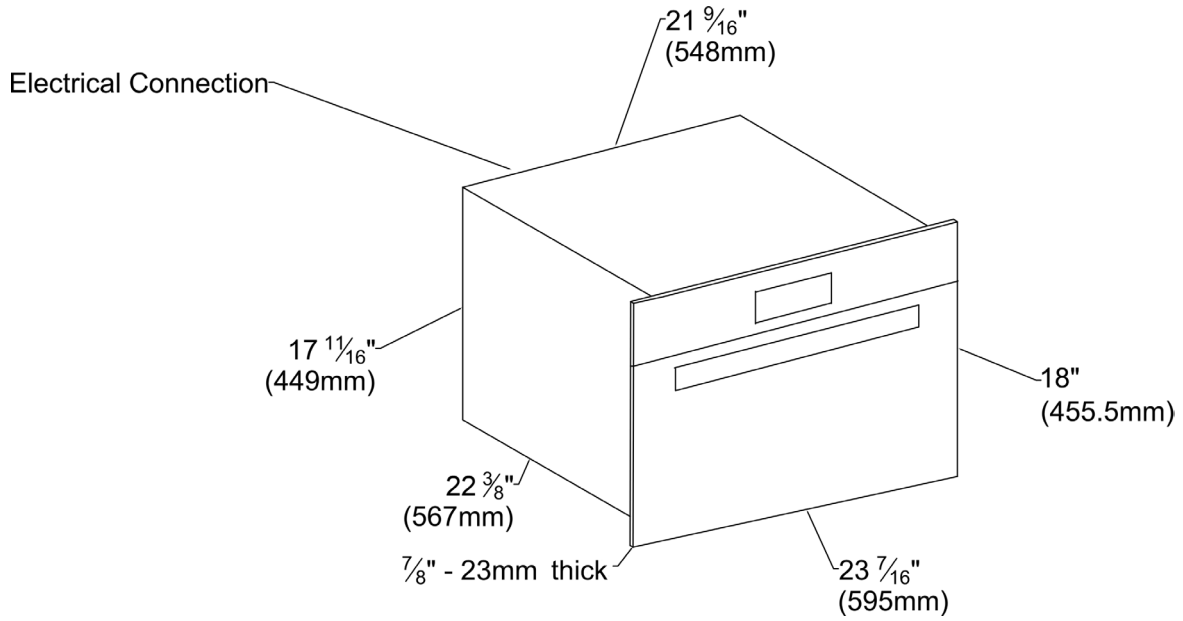
20/20 Link 2020technologies.com

PureLine Combi-Steam Oven DGC 6600-1 XL

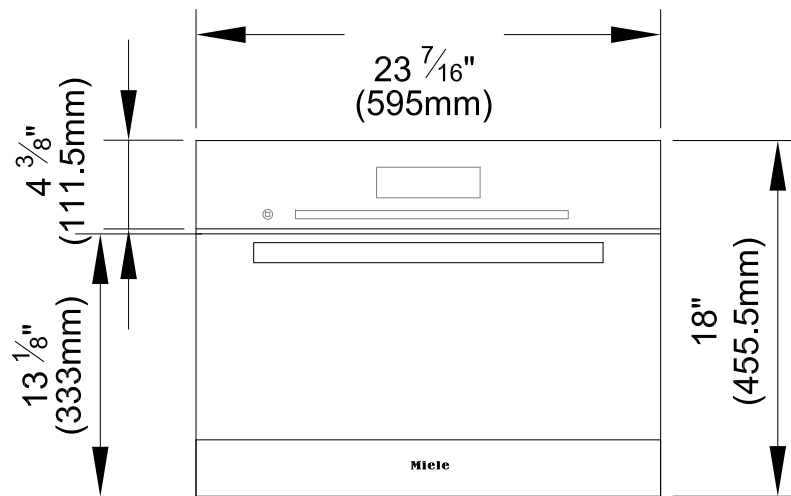


PRODUCT VIEWS

Isometric View

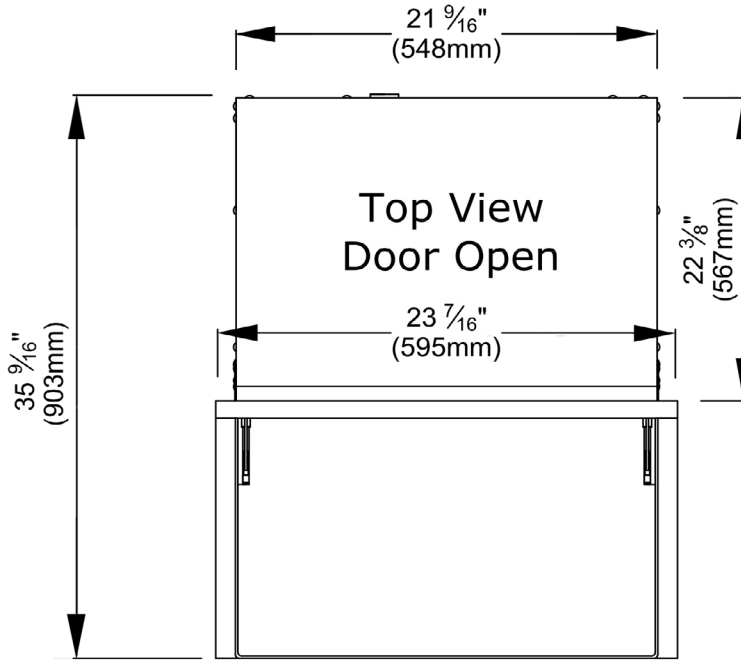


Front View

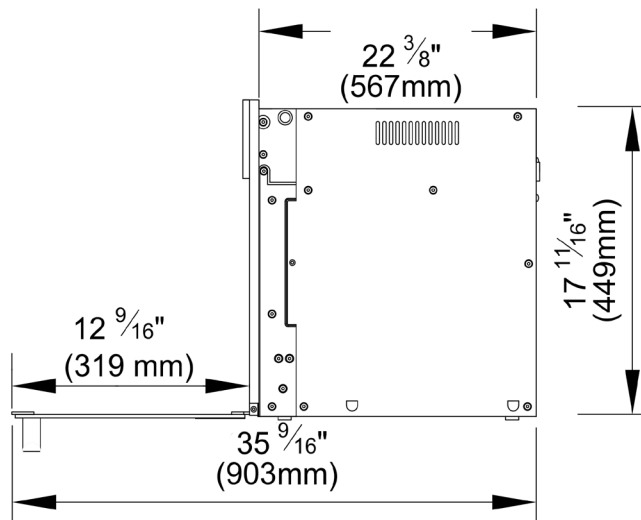


INSTALLATION SPECIFICATIONS

Top View, Door Open

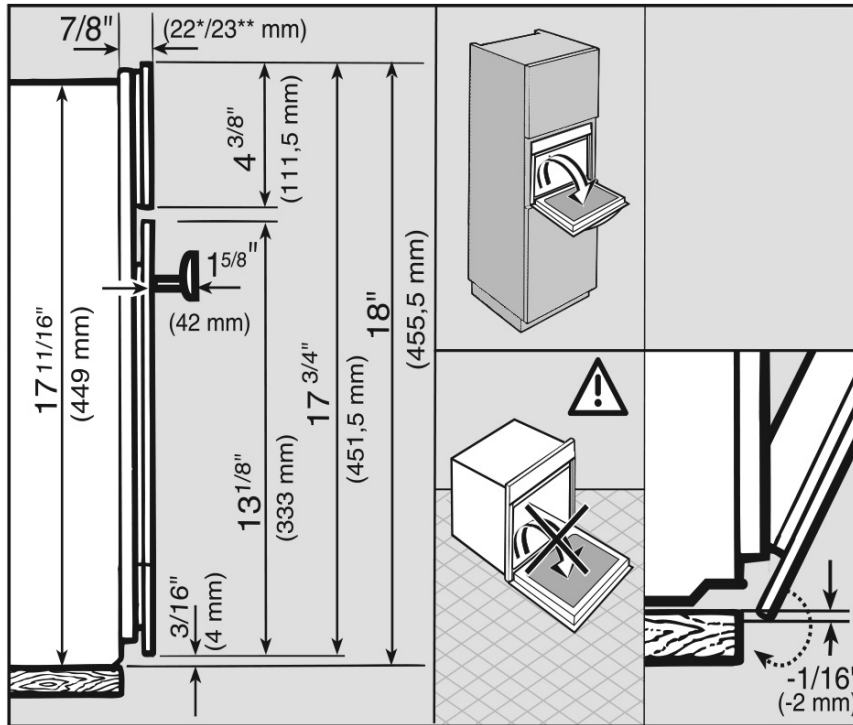


Side View, Door Open



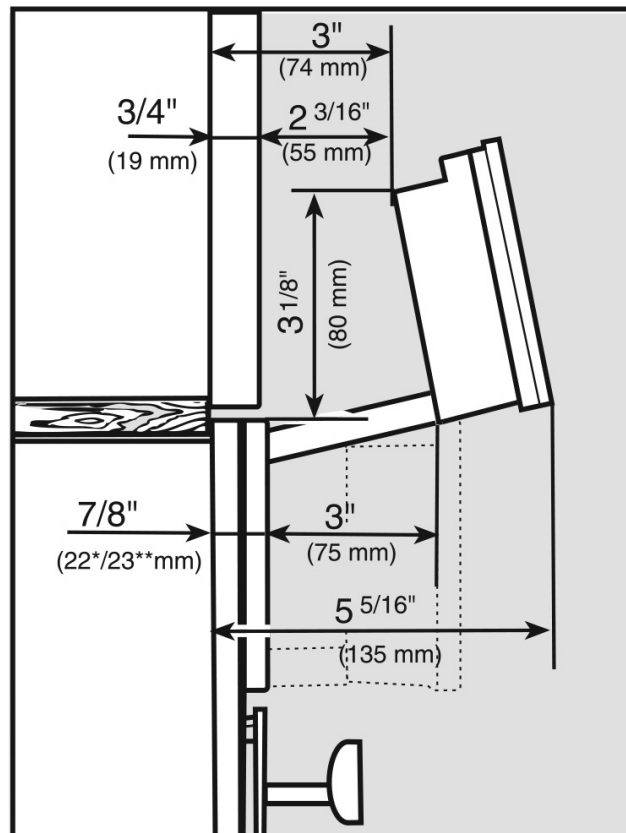
INSTALLATION SPECIFICATIONS

Door Swing and Face Detail



- * Appliances with glass front
- ** Appliances with metal front

Control Panel Swivel View



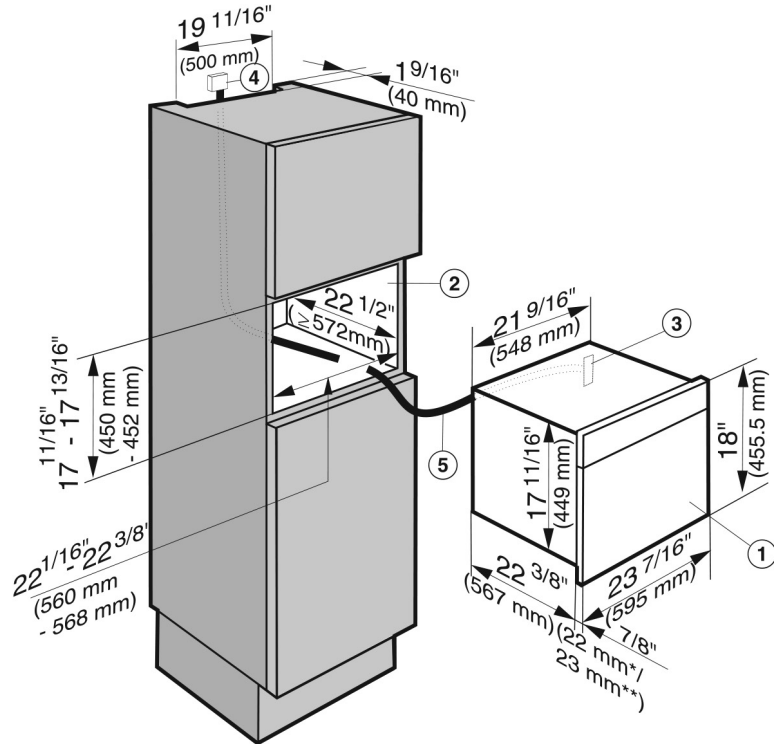
- * Appliances with glass front
- ** Appliances with metal front

PureLine Combi-Steam Oven DGC 6600-1 XL



INSTALLATION SPECIFICATIONS

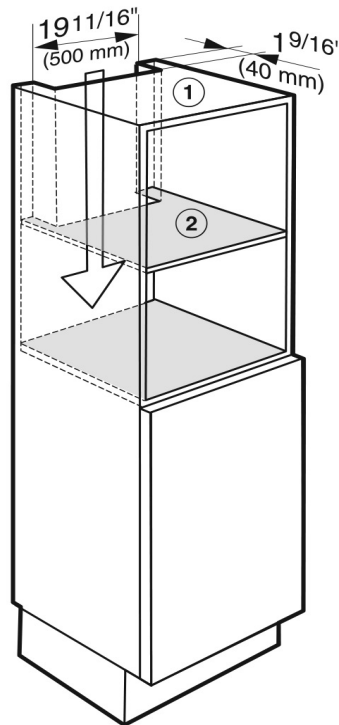
Tall Cabinet Installation



- * Appliances with glass front
- ** Appliances with metal front

- ① Combi Steam Oven
- ② Installation niche
- ③ Power supply to the appliance
- ④ Recommended location for electrical connection
- ⑤ Power cord

Tall Cabinet Installation — Venting Requirements



To ensure that the Combi Steam Oven has adequate ventilation, the following cut-outs measuring 19 1/16" x 1 9/16" (500 x 40 mm) must be made:

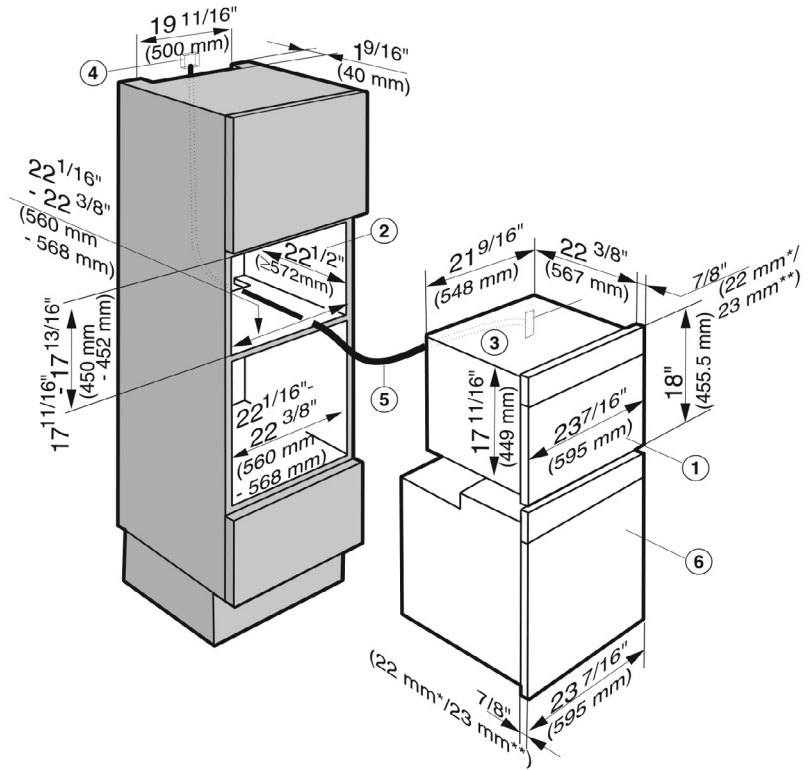
- ① in the top of the cabinet
- ② in the center shelf above the installation niche

PureLine Combi-Steam Oven DGC 6600-1 XL



INSTALLATION SPECIFICATIONS

Installation Above 24" Oven

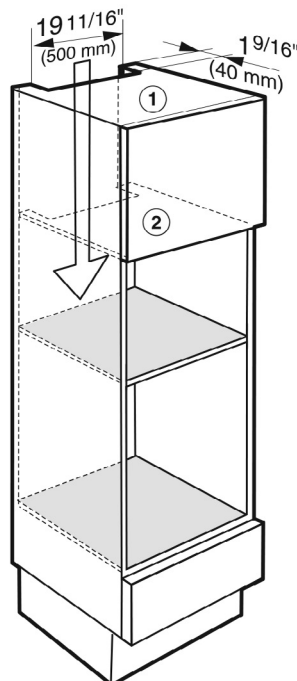


* Appliances with glass front

** Appliances with metal front

- ① Steam oven
- ② Niche
- ③ Pass-through for the power cord
- ④ Recommended position for electrical connection
- ⑤ Power cord
- ⑥ Oven

Installation Above 24" Oven —
Venting Requirements



To ensure that the Combi Steam Oven has adequate ventilation, the following cut-outs measuring 19 11/16" x 1 9/16" (500 x 40 mm) must be made:

- ① in the top of the cabinet
- ② in the center shelf above the installation niche

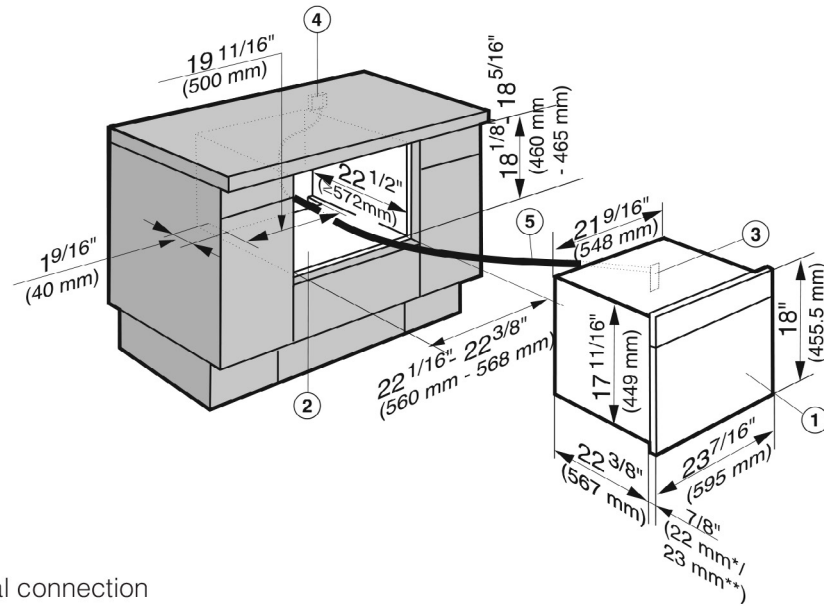
For the oven ventilation cut-out, please see the information in the oven installation instructions.

PureLine Combi-Steam Oven DGC 6600-1 XL



INSTALLATION SPECIFICATIONS

Installation Undercounter



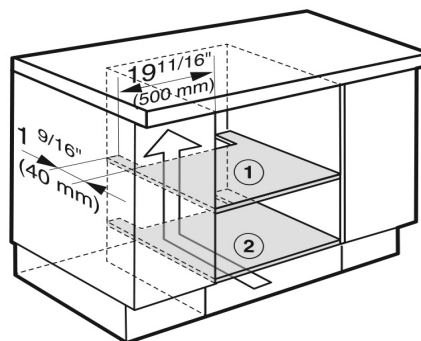
- ① Combi Steam Oven
- ② Installation niche
- ③ Power supply to the appliance
- ④ Recommended location for electrical connection
- ⑤ Power cord

* Appliances with glass front

** Appliances with metal front

If the appliance is to be installed under a cooktop, observe the instructions for installation of the cooktop and its installation height.

Installation Undercounter –
Venting Requirements



To ensure that the Combi Steam Oven has adequate ventilation, the following cut-outs measuring 19 11/16" x 1 9/16" (500 x 40 mm) must be made:

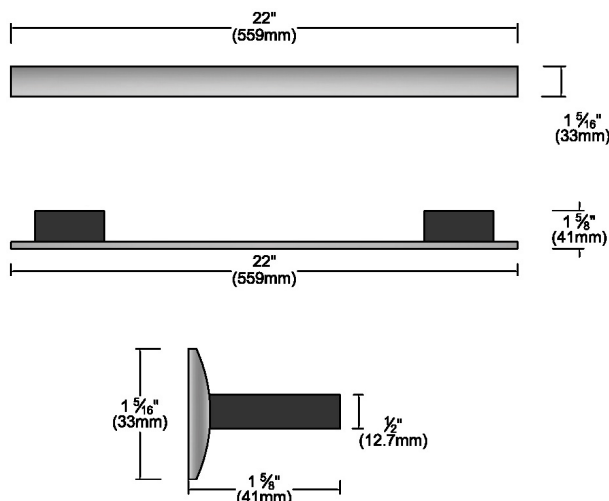
- ① in the top of the cabinet
- ② in the center shelf above the installation niche

PureLine Combi-Steam Oven DGC 6600-1 XL



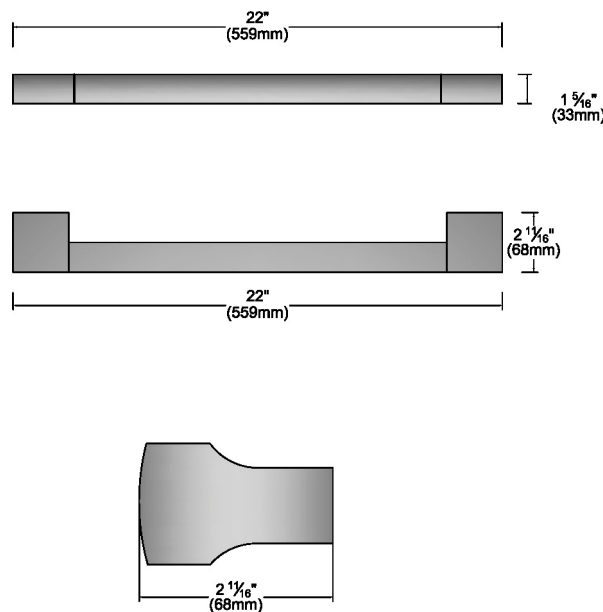
HANDLE DETAILS

All Miele Signature And PureLine
Handle Dimensions



Please note hinges may require adjusting or replacing when changing from a ContourLine Handle to a PureLine or Miele Signature Handle.

All ContourLine Handle
Dimensions



Please note hinges may require adjusting or replacing when changing from a PureLine or Miele Signature Handle to a ContourLine Handle.